

Equipment (package components):

Bio-fireplace type	650x400	900x400	1200x400	650x400 BOX	900x400 BOX	1200x400 BOX	HOME	BOARD	STAINLESS	SMART	SUNSET GARDEN
Adjustable burner 235BD	•	-	•	•	-	•	•	•	-	-	-
Linear burner 500L6P	-	•	-	-	•	-	-	-	-	-	-
Combustion tank	-	-	-	-	-	-	-	-	•	•	•
Flame controlling element	•	-	•	•	-	•	•	•	•	•	-
Flame extinguishing element	•	•	•	•	•	•	•	•	•	•	•
Mounting rail(s)	•	•	•	-	-	-	-	-	-	-	-
Hook	•	•	•	-	-	-	-	-	-	-	-
Funnel	•	•	•	•	•	•	•	•	•	-	-
Wall anchors	•	•	•	•	•	•	-	-	-	-	-

## INSTALLATION MANUAL

Before installation, check the specifications contained in “*Important safety guidelines*” to determine whether the room of installation is suitable to use the appliance.

### Installation of HOME bio-fireplace

HOME bio-fireplace is a free-standing device designed for installation on a flat and non-flammable surface. The device should be installed as specified below.

Stick the rubber or felt washers (4 pcs.) included in the delivery to the base of the bio-fireplace. Position the bio-fireplace on an even surface and install the windows (2 pcs.). To properly install the windows, gently slide them all the way into the dedicated longitudinal holes. As an additional precaution, this should always be performed using protective gloves.

Once the device is installed, make sure that everything has been carried out according to the manual.

### Installation of BOARD bio-fireplace

The bio-fireplace should be installed on the wall only by an installer with an appropriate licence. The bio-fireplace may be installed only on a wall made of non-flammable materials. Before installation, check the specifications contained in “*Important safety guidelines*” to determine whether the room of installation is suitable to use the appliance. BOARD bio-fireplace is designed for installation on a flat surface by the wall. The device should be installed as specified below. With the supplied bolts, firmly screw the bio-fireplace’s rear side to the base where you will later install the burner and window. The rear side of the casing has keyholes designed for wall installation. Mark all attachment points on the wall, including the hole located under the base. In the attachment points, drill holes with a diameter of 8 mm. Insert the expansion anchors supplied with the bio-fireplace into the pre-drilled holes. Screw the two upper bolts into the expansion anchors so that the distance between the wall and bolt head is approx. 3mm. Hang the bio-fireplace on the bolts by inserting their heads into the large keyholes and slowly lower the bio-fireplace until the bolts settle in the keyholes. Once the bio-fireplace is lowered, screw the last bolt through the hole located under the base.

To properly mount the window, insert it gently all the way into the dedicated longitudinal hole. As an additional precaution, this should always be performed using protective gloves. Before or after the installation, make sure that the place of installation can withstand the device weight. Also, insert the bio-ethanol tank in the appliance. Never insert a filled fuel tank, as you can accidentally spill the fuel onto the bio-fireplace parts or around it. For adjustable tanks, place the bio-ethanol tank’s cover on the tank in such a way that during closing or adjusting the flame the cover can be freely moved forward or backward.

### Installation of STAINLESS bio-fireplace

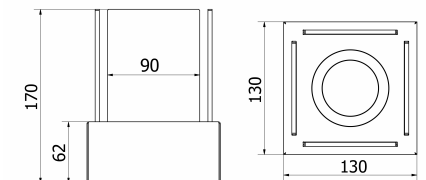
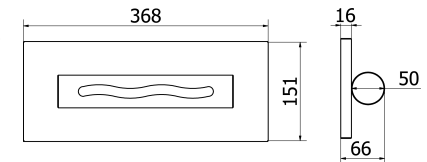
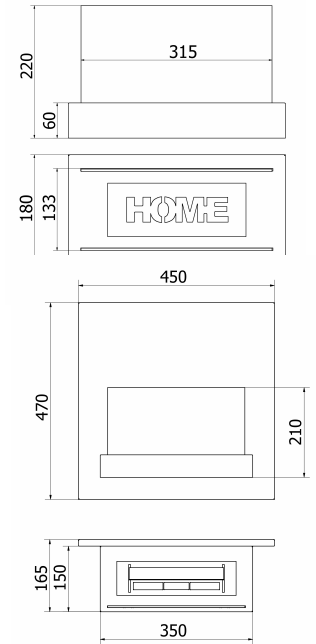
STAINLESS bio-fireplace is a free-standing device designed for installation on a flat and non-flammable surface. Stick the rubber or felt washers (4 pcs.) included in the delivery to the base of the bio-fireplace.

### Installation of SMART bio-fireplace

SMART bio-fireplace is a free-standing device designed for installation on a flat and non-flammable surface. The device should be installed as specified below. Stick the rubber or felt washers (4 pcs.) included in the delivery to the base of the bio-fireplace. Position the bio-fireplace on an even surface and install the windows (4 pcs.).

To properly mount the windows, insert them gently all the way into the dedicated longitudinal holes. As an additional precaution, this should always be performed using protective gloves. Also, insert the bio-ethanol tank in the appliance. Never insert a filled fuel tank, as you can accidentally spill the fuel onto the bio-fireplace parts or around it.

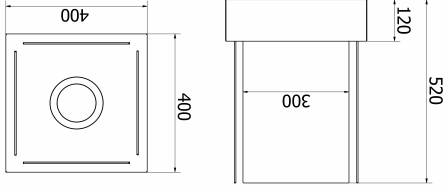
Once the device is installed, make sure that everything has been carried out according to the manual.



#### Installation of SUNSET GARDEN bio-fireplace

SUNSET GARDEN bio-fireplace is a free-standing device designed for installation on a flat and non-flammable surface. The device should be installed as specified below. Stick the rubber or felt washers (4 pcs.) included in the delivery to the base of the bio-fireplace. Position the bio-fireplace on an even surface and install the windows (4 pcs.).

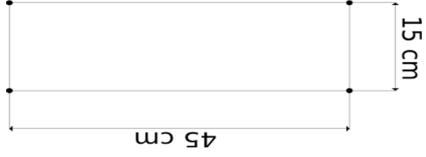
To properly mount the windows, insert them gently all the way into the dedicated longitudinal holes. As an additional precaution, this should always be performed using protective gloves. Also, insert the bio-ethanol tank in the appliance. Never insert a filled fuel tank, as you can accidentally spill the fuel onto the bio-fireplace parts or around it.



Once the device is installed, make sure that everything has been carried out according to the manual.

#### Installation of suspended 1200x400, 900x400 and 650x400 bio-fireplaces

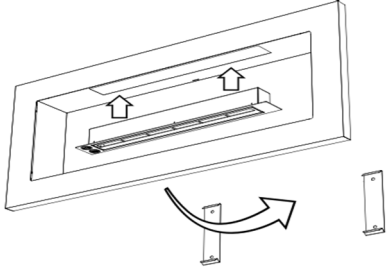
The bio-fireplace should be mounted to the wall only by an installer with appropriate permissions. The bio-fireplace should be installed only on a wall made of non-combustible materials. Before installation, check the specifications described in the "Important Safety Instructions" section to determine if the room to be assembled is suitable for use.



For assembly, mark the position of the mounting holes in the target place on the wall. It is recommended to use a spirit level in order to obtain a level and assembly strips. It is recommended to keep a minimum distance of 60 cm between the floor and the device.

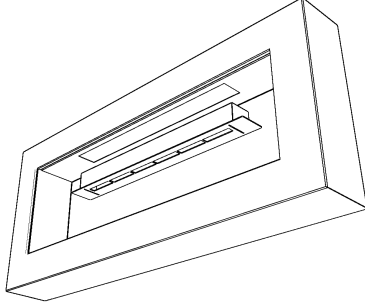
Drill holes and fasten the slats with fastening elements to the wall using the supplied assembly materials (the supplied fasteners are suitable for stone, brick and concrete walls). It is necessary to hang the bio-fireplace on the mounting rails and make sure that the fixing of the rails and the device are properly fixed.

Before or after installing the device, make sure that the place where the device is installed will withstand its weight. The bioethanol container should be placed in the device. Never place a filled container for biofuel, because you can inadvertently pour fuel on parts of the device or its surroundings. In the case of adjustable containers, the bioethanol container should be placed on the container in such a way that when the flame height is closed or controlled, the lid can move freely backwards and forwards.



#### Installation of suspended 650x400BOX, 900x400BOX and 1200x400BOX bio-fireplaces

The bio-fireplace should be installed on the wall only by an installer with an appropriate licence. The bio-fireplace may be installed only on a wall made of non-flammable materials. Before installation, check the specifications contained in "Important safety guidelines" to determine whether the room of installation is suitable to use the appliance. BOX bio-fireplaces are designed for placement and installation on a flat surface by the wall or for suspension on the wall. We recommend a minimum distance of 60 cm between the floor and the device. The device should be mounted on the wall as specified below. On the casing rear, there are two irregular holes used for wall mounting. Mark two attachment points on the wall, spaced 85mm. In the attachment points, drill holes with a diameter of 8 mm. Insert the expansion anchors supplied with the bio-fireplace into the pre-drilled holes. Screw the two upper bolts into the expansion anchors so that the distance between the wall and bolt head is approx. 3mm. The insert them into the circular mounting hole. Then vigorously move the entire bio-fireplace rightwards and then downwards, which will block it in a safe position.



Also, insert the bio-ethanol tank in the appliance. Never insert a filled fuel tank, as you can accidentally spill the fuel onto the bio-fireplace parts or around it. For adjustable tanks, place the bio-ethanol tank's cover on the tank in such a way that during closing or controlling the flame the cover can be freely moved forward or backward.

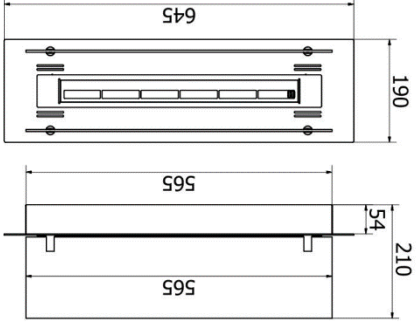
Before or after the installation, make sure that the place of installation can withstand the device weight.

#### Installation of 650 insert

The 650 insert is a bio-fireplace device intended for installation in a furniture board with increased resistance to high temperature (e.g. MDF laminated board, non-flammable), fireproof plasterboard, metal and stone constructions, as well as other non-combustible materials. The device should be mounted in a horizontal position (acceptable deviation horizontally is +/- 5 degrees). The construction must guarantee the stability of the device.

The assembly should be carried out according to the steps described below. Insert handles included in the set into the body of the 650 insert. Depending on the material from which the device casing is made, the supplied screws with self-locking nuts or screws with a plug should be used for this. The holes for fixing the glass holder also serve as a fastening function for the entire bio-fireplace insert in the building. They attach the glass

in the handles, pressing them with the adjustment screws being an integral part of the handle. The final stage of assembly is the insertion of a container for bioethanol in the hole at the top of the device.

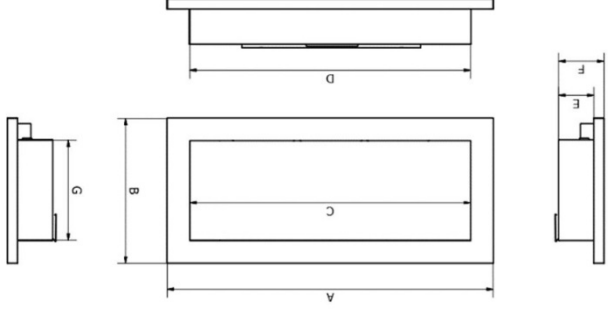


#### BIO-FIREPLACE PARAMETERS

NAME	HOME BOARD	STAINLESS	SMART	SUNSET GARDEN
Weight [kg]	3	4.1	1.25	1.3
Burner capacity [l]	0.7	0.5	0.2	1
Burning time [h]	2-5h/1	2-5h/1	8h/1	1-3h/1

Minimum distance to flammable materials: 0.5 m

Parameters and dimensions of suspended bio-fireplaces: 1200x400, 900x400, BOX 900x400 and BOX 650x400



NAME	650x400	900x400	1200x400	650x400 BOX	900x400 BOX	1200x400 BOX
A [mm]	650	900	1200	650	900	1200
B [mm]	400	400	400	400	400	400
C [mm]	510	760	1060	490	740	1040
D [mm]	526	776	1076	650	900	1200
E [mm]	90	90	90	0	0	0
F [mm]	120	120	120	276	400	120
G [mm]	276	276	276	400	400	400
Weight [kg]	4.3	6.5	8.5	6.5	9	15
Burner capacity [l]	0.35	0.75	3 x 0.35	0.35	0.75	3 x 0.35
Burning time [h]	1	1.2	1	1	1.2	1

Minimum distance to flammable materials: 0.5 m