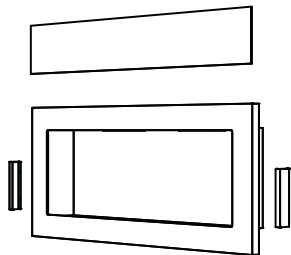


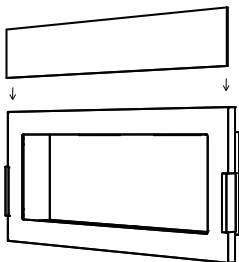
## GLASS INSTALLATION - BIO FIREPLACE 1200x400, 900x400, 650x400

1



Installation should be done before hanging the bio-fireplace on the wall.

3

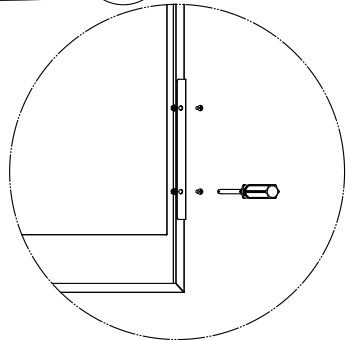


The glass must be tucked in from top to bottom.

2

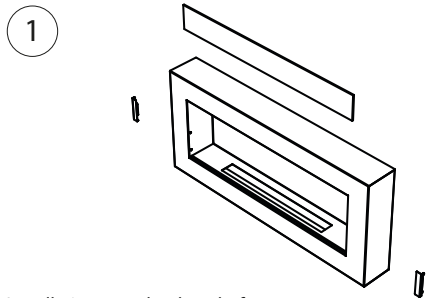


rear view of a bio-fireplace

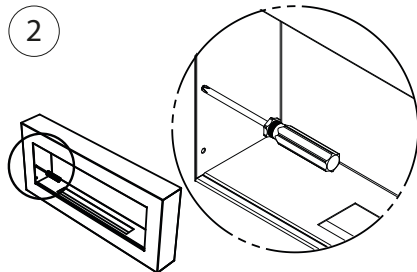


Mounting holes are on the back of the bio-fireplace frame. The glass holders should be installed using the enclosed screws and nuts.

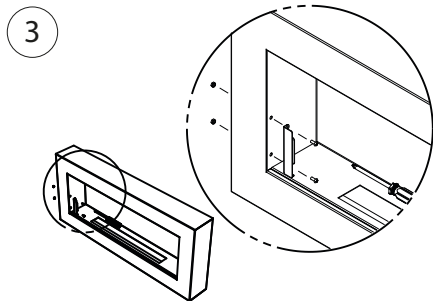
## GLASS INSTALLATION - BOX FIREPLACE



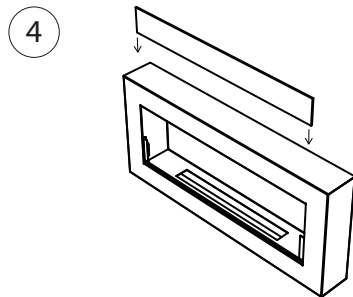
Installation must be done before hanging the bio-fireplace on the wall.



Remove mounting points with screwdriver or other tool by pressing.



Fasten the glass holders with the help of screws and nuts included in the kit.



The glass should be inserted into the holders from top to bottom.